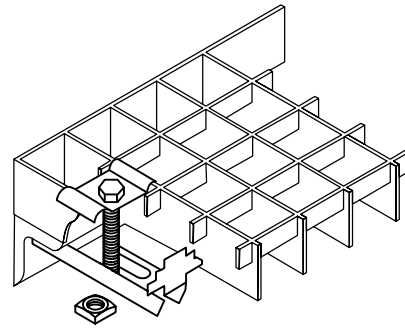


### Clamp B

Comprising of saddle top clip, pressed bottom plate, hexagonal M8x60 screws and quadratic M8 nut

galvanised			V2A	
Article	Mesh width (mm)	Gross price EUR	Mesh width (mm)	Gross price EUR
M0531	33 x 33	1,15	33 x 33	3,45
	34 x 38	1,15	34 x 38	3,45
M2231	33 x 21	1,15	33 x 21	3,45

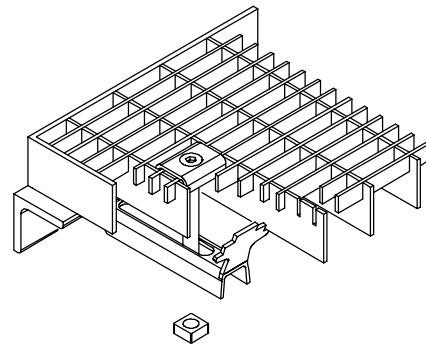


CLAMP B

### Clamp B10

Comprising of saddle top clip, pressed bottom plate, allen bolt and nut

galvanised			V2A	
Article	Mesh width (mm)	Gross price EUR	Mesh width (mm)	Gross price EUR
M2331	33 x 11	1,27	33 x 11	4,03

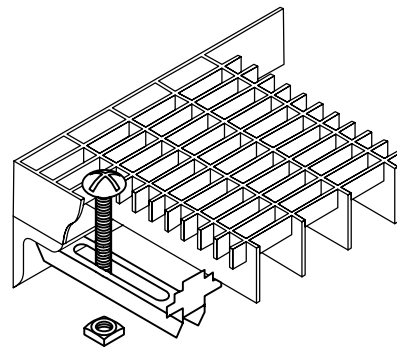


CLAMP B 10

### Clamp S

Comprising of flat-topped bolt, nut and pressed bottom plate

galvanised			V2A	
Article	Mesh width (mm)	Gross price EUR	Mesh width (mm)	Gross Price EUR
M2031	33 x 11	1,61	33 x 11	4,81

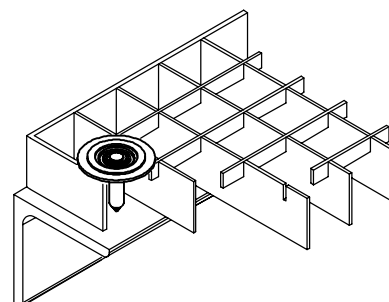


CLAMP S

### Powder actuated fastening

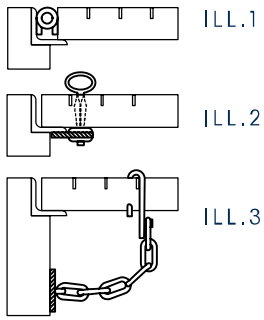
Comprising of disc top clip with fired stud

galvanised			V4A	
Article	Mesh width (mm)	Gross price EUR	Mesh width (mm)	Gross price EUR
	33 x 33	2,76	33 x 33	12,88



POWDER ACTUATED FASTENING

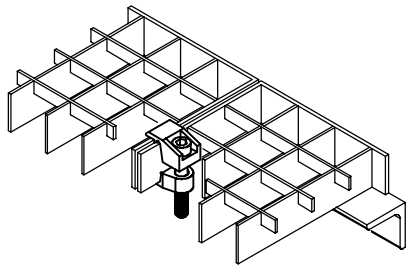




SAFETY ELEMENTS

Safety Elements  
(unassambled)

galvanized		
Part No.	Description	Gross price EUR
	Hinge. Illustration.1	10,73
	Cabinet bolt Illustration.2	16,10
	Safety chains Illustration.3	16,10

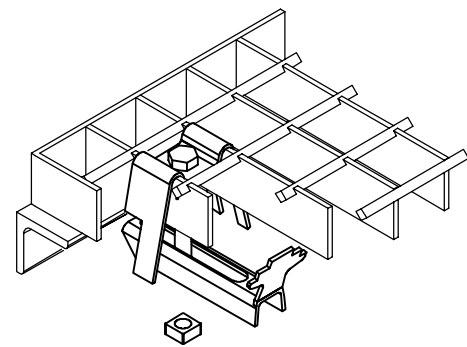


BUTT JOINT

Butt joint

Comprising of top and base with thread and Allen screw

galvanized			
Part No.	Description	Mesh width (mm)	Gross price EUR
MSV	Yellow chromated	ab 33 x 33	8,63

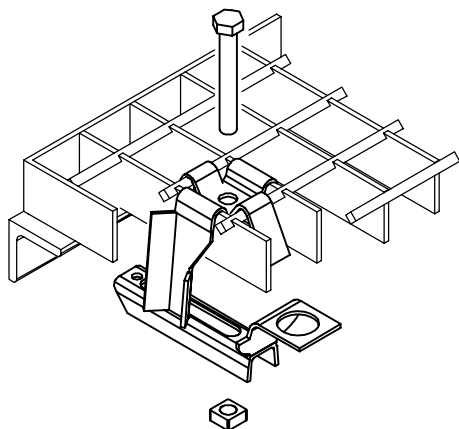


SAFETY CLAMP A

Safety clamp A

Comprising of safety top, clamp base, hexagonal screw and square nut

galvanized		V2A		
Part No.	Mesh width (mm)	Gross Prices EUR	Mesh width (mm)	Gross price EUR
M0833	34 x 38	2,22	34 x 38	6,58



SAFETY CLAMP D

Safety clamp D

Comprising of safety top, clamp base, hexagonal screw and square nut

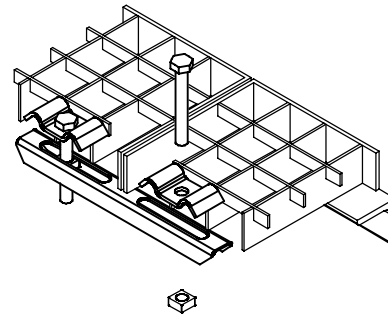
galvanized		V2A		
Part No.	Mesh width (mm)	Gross price EUR	Mesh width (mm)	Gross price EUR
M0833	34 x 38	2,22	34 x 38	6,58



### Double clamp V

Comprising of 2 stirrup tops, clamp base, 2 hexagonal screws and 2 square nuts

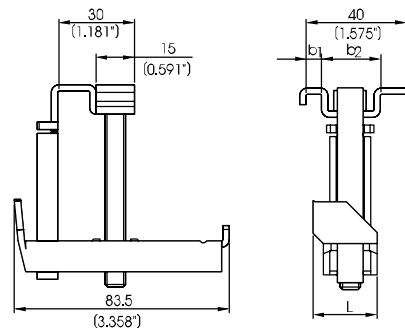
galvanised		V2A		
Part No.	Mesh width (mm)	Gross Price EUR	Mesh width (mm)	Gross price EUR
M0540	33 x 33	1,91	33 x 33	6,58
M2240	33 x 22	1,91	33 x 22	6,58
M2340	33 x 11	1,91	33 x 11	6,58



DOUBLE CLAMP V

### Hilti clamp

galvanised		
Part No.	Mesh width (mm)	Gross price EUR
XMGR	33 x 33	2,68



HILTI CLAMP

